

# Core Sand Distribution Systems

For the core sand transport from the mixer to the different core shooters KLANN offers different systems. As a special system a travelling hoist gear system for vertical and horizontal transport from floor level is offered.

## This so called HLK system offers following advantages:

- easy access of the charging position at mixer
- fully automatic operation
- no complex and costly steel construction
- low construction height
- long and winding track routing possible
- use of standard DEMAG crane components
- no use of trailing cable necessary

The system can also be easily installed in existing core shops to increase the productivity.



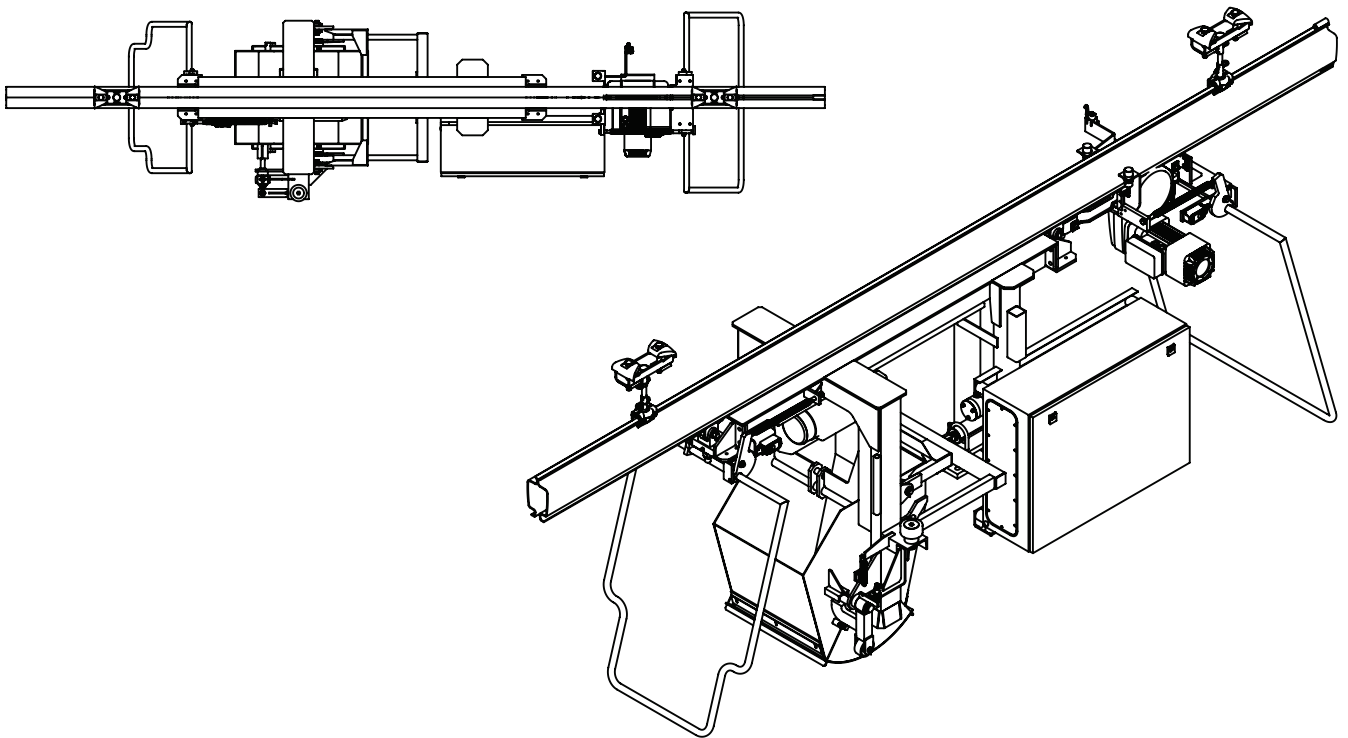
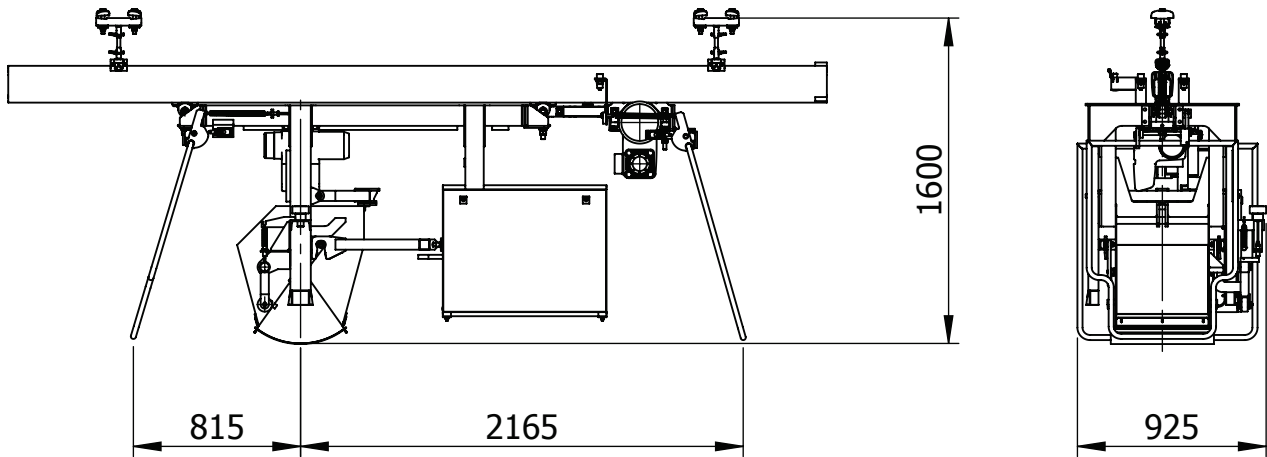
*HLK 50 core sand distribution system in travelling position*



*possible arrangement of a core sand processing and distribution system*



# Core Sand Distribution Systems



## Typical technical data of a travelling hoist gear system:

transport volume:	10 – 150 liters
travelling length:	not limited
travelling speed:	max. 50 m/min.
lifting height:	1 – 10 m
capacity:	0.5 – 4 t/hr